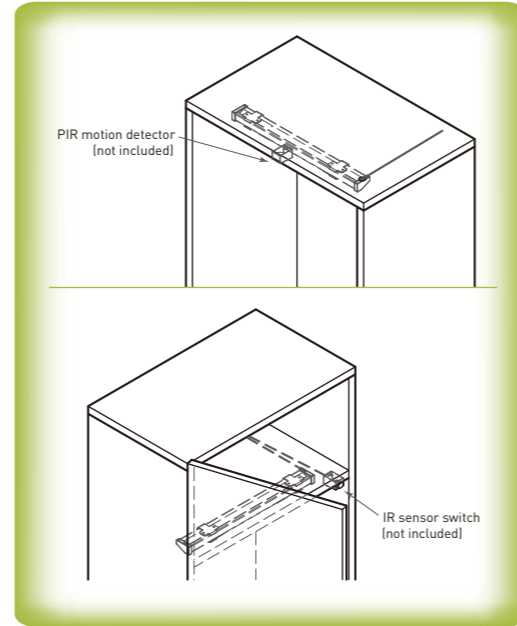


Internal Cabinet LED Light | PLD2703



- Application: internal cabinet, wardrobe or closet
- Extruded aluminium housing, top surface mounting, screw fixing
- With MCPET reflector & acrylic diffuser
- Single LED module, Cree® high power XP-E
- Compatible power supply: 700mA constant current XP LED power system

- Mounting options:**
- ① ADC70PIR-DT motion detector, screw fixing
 - ② ADC70IR.LENS door sensor switch, screw fixing



Model	Illustration	Description
PLD2703-54	542	L=542mm, 2 LEDs (5W) with 2 nylon brackets
PLD2703-82	822	L=822mm, 3 LEDs (7.5W) with 2 nylon brackets
PLD2703-110	1,102	L=1,102mm, 4 LEDs (10W) with 3 nylon brackets

Internal Cabinet LED Light | PLD2703

Illustration	Article Code	Model	Description
			matt silver, with plastic mounting brackets
	09.741.121	PLD2703-54NA-CW	cool white
	09.741.111	PLD2703-54NA-WW	warm white
5 W			
	09.742.121	PLD2703-82NA-CW	cool white
	09.742.111	PLD2703-82NA-WW	warm white
7.5 W			
	09.743.121	PLD2703-110NA-CW	cool white
	09.743.111	PLD2703-110NA-WW	warm white
10 W			

- Installation:**
- ① fix two nylon brackets with screws
 - ② insert PLD2703 LED light into the brackets

